

# Fluid-o-Tech rotary vane pumps "Compact" and "Compact Plus"



The pumping chamber and the vanes are made of graphitic carbon. The inlet and outlet ports are 3/8" GAS or NPT threaded. Special connections available. The pump is equipped with a built-in relief valve. Maximum operative temperature: 70 °C (158 °F).

All models, upon request, are available:

- with Viton/EPDM seals (suffix - V/E) for special fluids
- NSF listed pumps for potable water. PA/MA series
- WRAS approved pumps. POW/MOW series



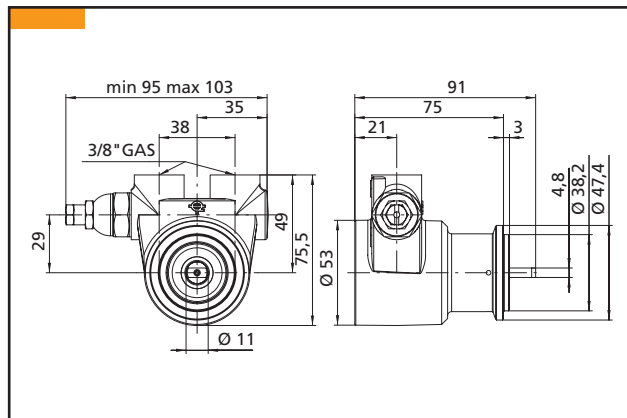
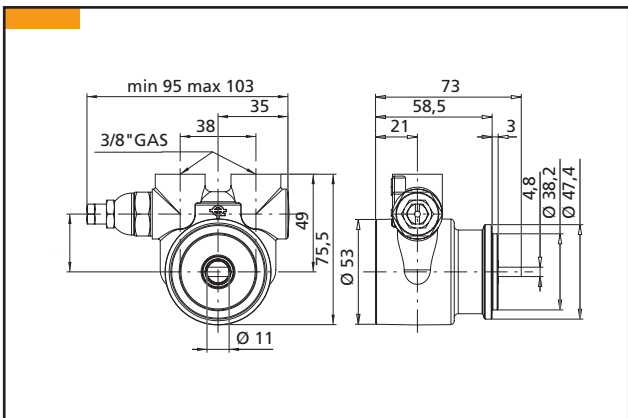
The "Compact" and "Compact Plus" series rotary vane pumps are the smallest series of the Rotoflow line of positive displacement pumps. Capable of high performances despite the small size, the Compact and Compact Plus series is the choice when space is an issue.

## Technical features and manufacturing characteristics

Both series are brass made with a stainless steel AISI 303 rotor.

## Main applications

- Beverage vending machines
- Post-mix drink dispensers
- Espresso coffee machines
- Cooling systems
- Reverse osmosis
- Ultra-filtration
- Water dispensers



**Fluid-o-Tech**  
WWW.FLUIDOTECH.IT

Via Morimondo, 23  
20143 Milano - Italy  
Tel. (39) (02) 8917071  
Fax (39) (02) 89170799

161 Atwater St.,  
Plantsville CT (USA) 06479  
Tel. (1) (860) 276-9270  
Fax (1) (860) 620-0193

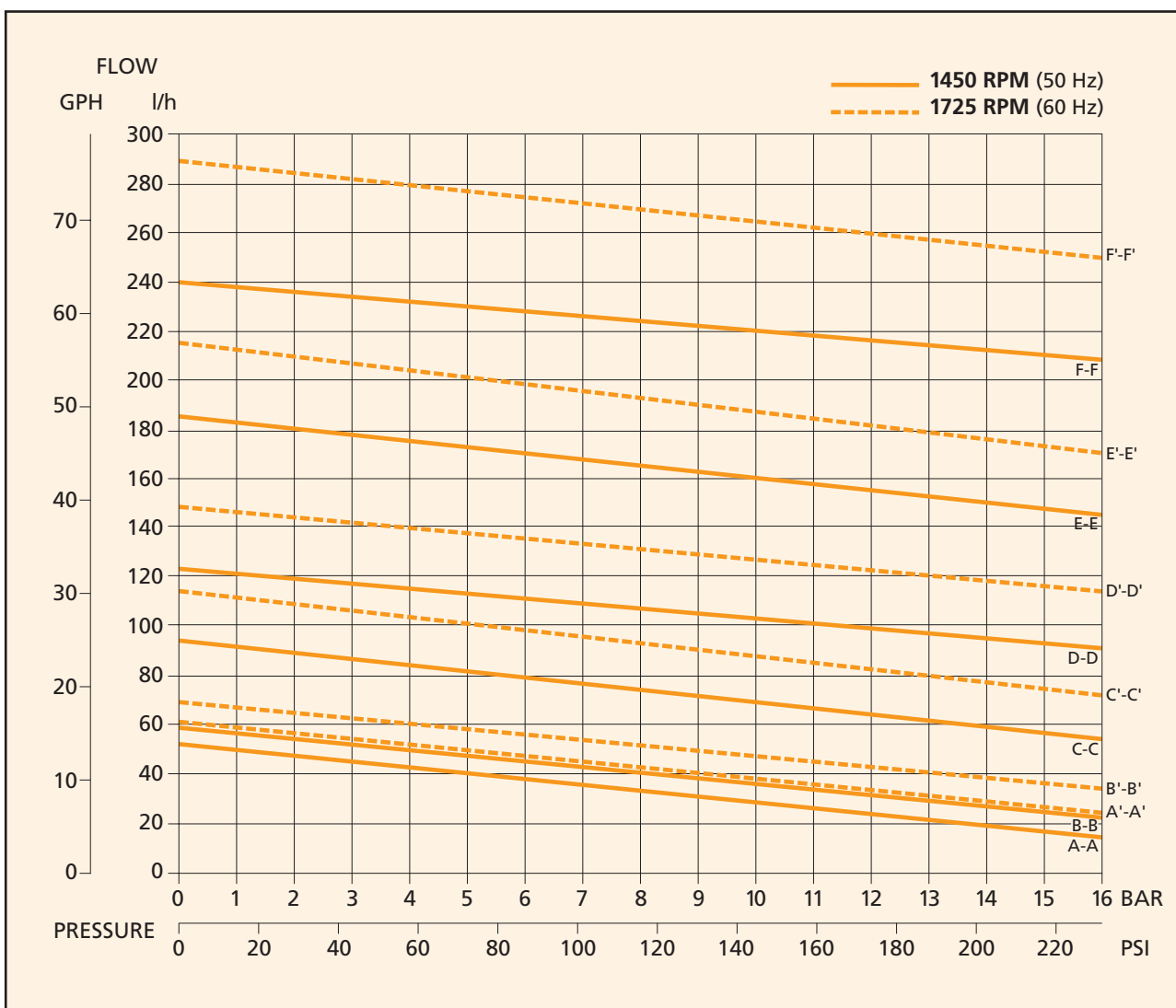
203, 2-17-19, Ebara, Shinagawa  
Tokyo 142-0063, Japan  
Tel. (81) (0) 3-3783-9660  
Fax (81) (0) 3-3783-9661

# Fluid-o-Tech rotary vane pumps "Compact" and "Compact Plus"

MODEL PO/PA/POW (Compact)	030	032	033	050	052	053	070	072	073	100	102	103	150	152	153	200	202	203
Figure	A-A (50 Hz); A'-A' (60 Hz)			B-B (50 Hz); B'-B' (60 Hz)			C-C (50 Hz); C'-C' (60 Hz)			D-D (50 Hz); D'-D' (60 Hz)			E-E (50 Hz); E'-E' (60 Hz)			F-F (50 Hz); F'-F' (60 Hz)		
By-Pass	NO	BAL	STD	NO	BAL	STD	NO	BAL	STD	NO	BAL	STD	NO	BAL	STD	NO	BAL	STD

MODEL MO/MA/MOW (Compact Plus)	030	031	034	050	051	054	070	071	074	100	101	104	150	151	154	200	201	204
Figure	A-A (50 Hz); A'-A' (60 Hz)			B-B (50 Hz); B'-B' (60 Hz)			C-C (50 Hz); C'-C' (60 Hz)			D-D (50 Hz); D'-D' (60 Hz)			E-E (50 Hz); E'-E' (60 Hz)			F-F (50 Hz); F'-F' (60 Hz)		
By-Pass	NO	STD	BAL	NO	STD	BAL	NO	STD	BAL	NO	STD	BAL	NO	STD	BAL	NO	STD	BAL



Pump weight: 850 g / 1.9 Lbs (Compact) - 1 kg / 2.2 Lbs (Compact Plus). Characteristics at constant motor speed, water at 20 °C / 68 °F and by-pass blocked  
When coupling the pump to the motor the min. starting torque should be no less than 5 kg/cm

**For applications involving other fluids, high temperatures or unusual processing conditions, please consult the factory or an authorized Fluid-o-Tech distributor**

Fluid-o-Tech reserves the right to alter the specifications indicated in this catalogue at any time and without prior notice

COMPACT/COMPACT PLUS – 09/04 Ed.



**Fluid-o-Tech**  
PUMP TECHNOLOGY AT ITS BEST

Via Morimondo, 23  
20143 Milano - Italy  
Tel. (39) (02) 8917071  
Fax (39) (02) 89170799

161 Atwater St.,  
Plantsville CT (USA) 06479  
Tel. (1) (860) 276-9270  
Fax (1) (860) 620-0193

203, 2-17-19, Ebara, Shinagawa  
Tokyo 142-0063, Japan  
Tel. (81) (0) 3-3783-9660  
Fax (81) (0) 3-3783-9661