

# Fluid-o-Tech DGM09 Series DC magnet drive pump/motor unit



The DGM09 Series magnet drive gear pumps derive from the well established mag drive MG200 Series.

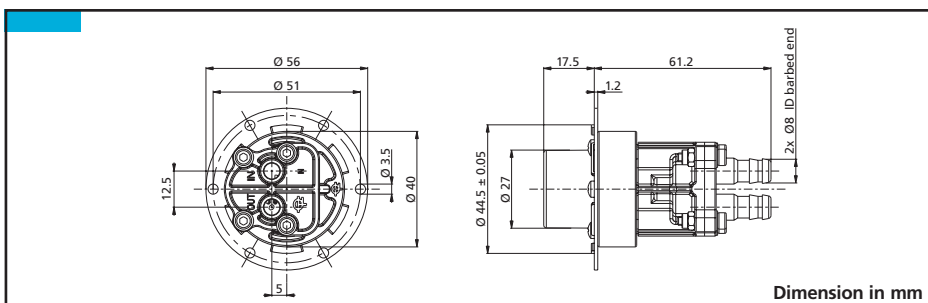
Built to handle clean water and relatively viscous fluids at low pressure, the DGM09 Series pump-motor unit has low pulsation and is capable of handling fluids at a maximum temperature of 95°C (203°F).

The pump housing and the gears are made of Vectra. Seals are available in NBR, EPDM or VITON®.

The extreme compactness of its design makes it the preferred choice where space is limited. Suction/discharge ports are 8 mm barbed end.

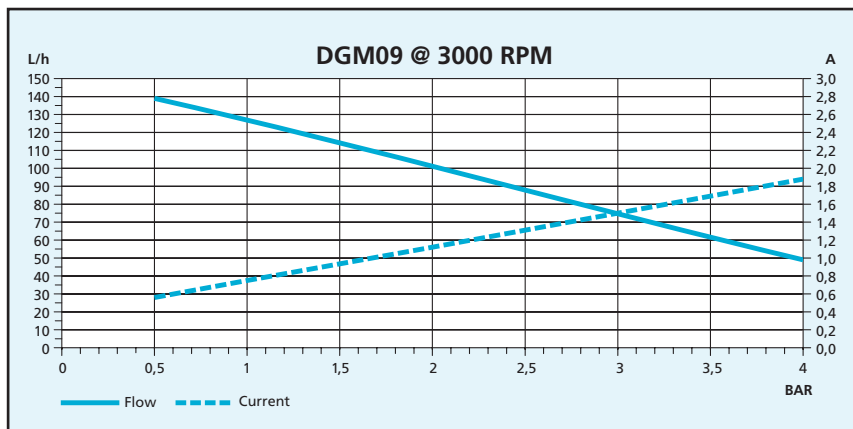
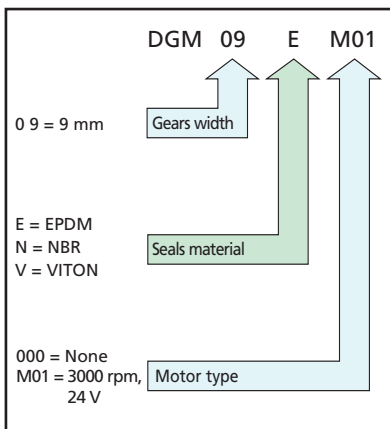
- Motor: 24 V DC brush type
- Speed: 3000 rpm

## DGM09



### Main Applications

- Water purification
- Laser cooling
- Water recirculation
- Condensation removal
- Low pressure carbonation



Characteristics with water at 20 °C. For applications involving other fluids, high temperatures or unusual processing conditions, please consult the factory or an authorized Fluid-o-Tech distributor. Weight: 0,55 Kg ( 1,21 Lbs)

Fluid-o-Tech reserves the right to alter the specifications indicated in this catalogue at any time and without prior notice

DGM09 – 10/07 Ed.